

Product Specification

Oxygen Sensor OOM112

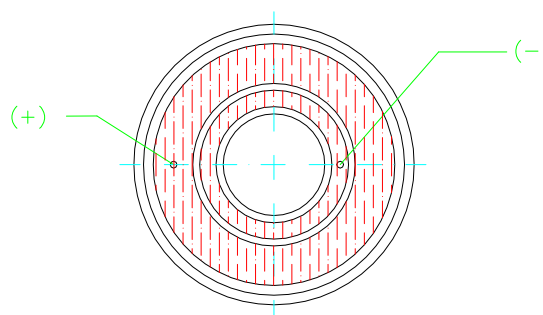
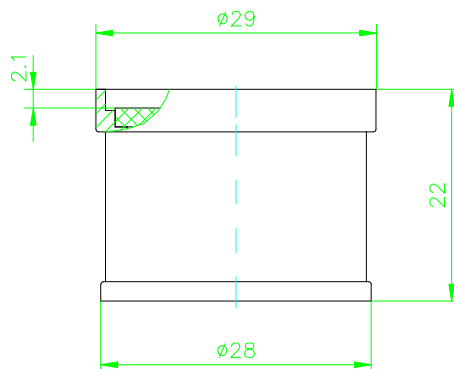
ENVITEC
by Honeywell

| | |
|---------------------------------------|---|
| Measurement Range: | 0-100 % oxygen |
| Output in ambient air: | 25 to 35 mV |
| Electrical Interface: | Gold plated slip rings |
| Accuracy and Repeatability: | < 1 % vol. O ₂ when calibrated at 100 % Oxygen |
| Linearity error: | < 3 % relative @ 100 % oxygen applied for 5 minutes |
| Response time: | < 12sec. to 90 % of final value |
| Zero Offset Voltage: | < 200 μ V in 100 % nitrogen applied after 5 min |
| Cross Interference: | Meets EN ISO 21647 requirements |
| Influence of Humidity: | - 0.03 % rel. per % RH at 25°C |
| Influence of Pressure: | proportional to change in oxygen partial pressure |
| Influence of Mechanical Shock: | < 1% relative after a fall from 1m |
| Operating Temperature: | 0 to +50°C |
| Temperature Compensation: | Temperature compensation built-in |
| Operating Humidity: | 0-99 % RH non-condensing |
| Long Term Output Drift: | < 1 % vol. oxygen per month typically < - 15 % relative over lifetime |
| Storage Temperature: | -20 to +50 °C |
| Recommended Storage: | +5 to +15 °C |
| Recommended Load: | \geq 10 kOhms |
| Warm-Up Time: | < 30 minutes, after replacement of sensor |
| Nominal Sensor Lifetime: | \geq 500.000 % vol. oxygen hours |
| Weight: | approximately 28 grams |
| Part No.: | 1001202 |

All specifications are applicable at standard conditions: 1013 hPa, 25°C dry ambient air

Use the advantages:

- Meets EN ISO 21647
- Designed and manufactured according to EN ISO 9001 : 2000 and EN ISO 13485 : 2003
- Accurate and reliable response
- Resistant to N₂O
- Excellent signal stability
- High product quality
- Short lead times
- Technical support



Dimension in mm

ENVITEC-Wismar GmbH

Alter Holzhafen 18
D-23966 Wismar

Phone: +49-(0) 3841- 360 1
Fax: +49-(0) 3841- 360 222
E-Mail: info@envitec.com
<http://www.envitec.com>