

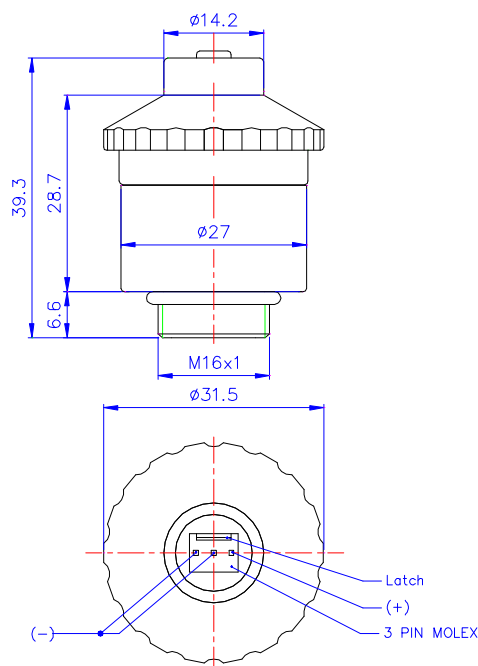
|   |   |
|---|---|
| <b>Measurement Range:</b>                                 | 0-100 % oxygen  |
| <b>Output in ambient air:</b>                             | 9 to 13mV   |
| <b>Electrical Interface:</b>                              | 3pin (Molex 22-11-1031)                                   |
| <b>Accuracy and Repeatability:</b>                        | < 1 % vol. O <sub>2</sub> when calibrated at 100 % Oxygen |
|   | < 3 % relative  |
| <b>Linearity error:</b>                                   | < 3 % relative  |
| <b>Response time:</b>                                     | < 12sec. to 90 % of final value                           |
| <b>Zero Offset Voltage:</b>                               | < 200 µV in 100 % nitrogen applied for 5 min              |
| <b>Cross Interference:</b>                                | < 0.5 % vol. O <sub>2</sub> response to:                  |
|   | 10 % CO <sub>2</sub> balance N <sub>2</sub>               |
|   | 80% N <sub>2</sub> O balance N <sub>2</sub>               |
|   | 7.5% Halothane balance N <sub>2</sub>                     |
|   | 7.5 % Isoflurane balance N <sub>2</sub>                   |
|   | 7.5 % Enflurane balance N <sub>2</sub>                    |
|   | 9% Sevoflurane balance N <sub>2</sub>                     |
|   | 20% Desflurane balance N <sub>2</sub>                     |
| <b>Influence of Humidity:</b>                             | - 0.03 % rel. per % RH at 25°C                            |
| <b>Influence of Pressure:</b>                             | proportional to change in oxygen partial pressure         |
| <b>Influence of Mechanical Shock:</b>                     | < 1% relative after a fall from 1m                        |
| <b>Operating Temperature:</b>                             | 0 to 50°C   |
| <b>Temperature Compensation:</b>                          | built-in NTC compensation                                 |
| <b>Effect of Temperature Compensation (steady state):</b> | between +25 °C and +40 °C: 3 % relative error             |
|   | between 0 °C and +50 °C: 8 % relative error               |
| <b>Operating Humidity:</b>                                | 0-99 % RH non-condensing                                  |
| <b>Long Term Output Drift:</b>                            | < 1 % vol oxygen per month                                |
|   | typically < - 15 % relative over lifetime                 |
| <b>Storage Temperature:</b>                               | -20 to +50 °C   |
| <b>Recommended Storage:</b>                               | +5 to +15 °C  |
| <b>Recommended Load:</b>                                  | ≥ 10 kOhms  |
| <b>Warm-Up Time:</b>                                      | < 30 minutes, after replacement of sensor                 |
| <b>Nominal Sensor Lifetime:</b>                           | ≥ 1.000.000 % vol oxygen hours                            |
| <b>Weight:</b>  | approximately 28 grams                                    |
| <b>Warranty Period:</b>                                   | 15 months   |
| <b>Part No.:</b>  | 01-00-0091  |

**Use the advantages:**

- Meet EN ISO 21647
- Designed and manufactured according to EN ISO 9001 : 2000 and EN ISO 13485 : 2003
- Accurate and reliable response
- Resistant to N<sub>2</sub>O
- Excellent signal stability
- High product quality
- Short lead times
- Technical support



All specifications are applicable at standard conditions: 1013 hPa, 25°C dry ambient air



Dimension in mm

**ENVITEC- WISMAR GMBH**

Alter Holzhafen 18  
D-23966 Wismar

Phone: +49-(0) 3841- 360 1  
Fax: +49-(0) 3841- 360 222  
E-Mail: [info@envitec.com](mailto:info@envitec.com)  
<http://www.envitec.com>